

# HEIKEN BUILDING MATERIAL



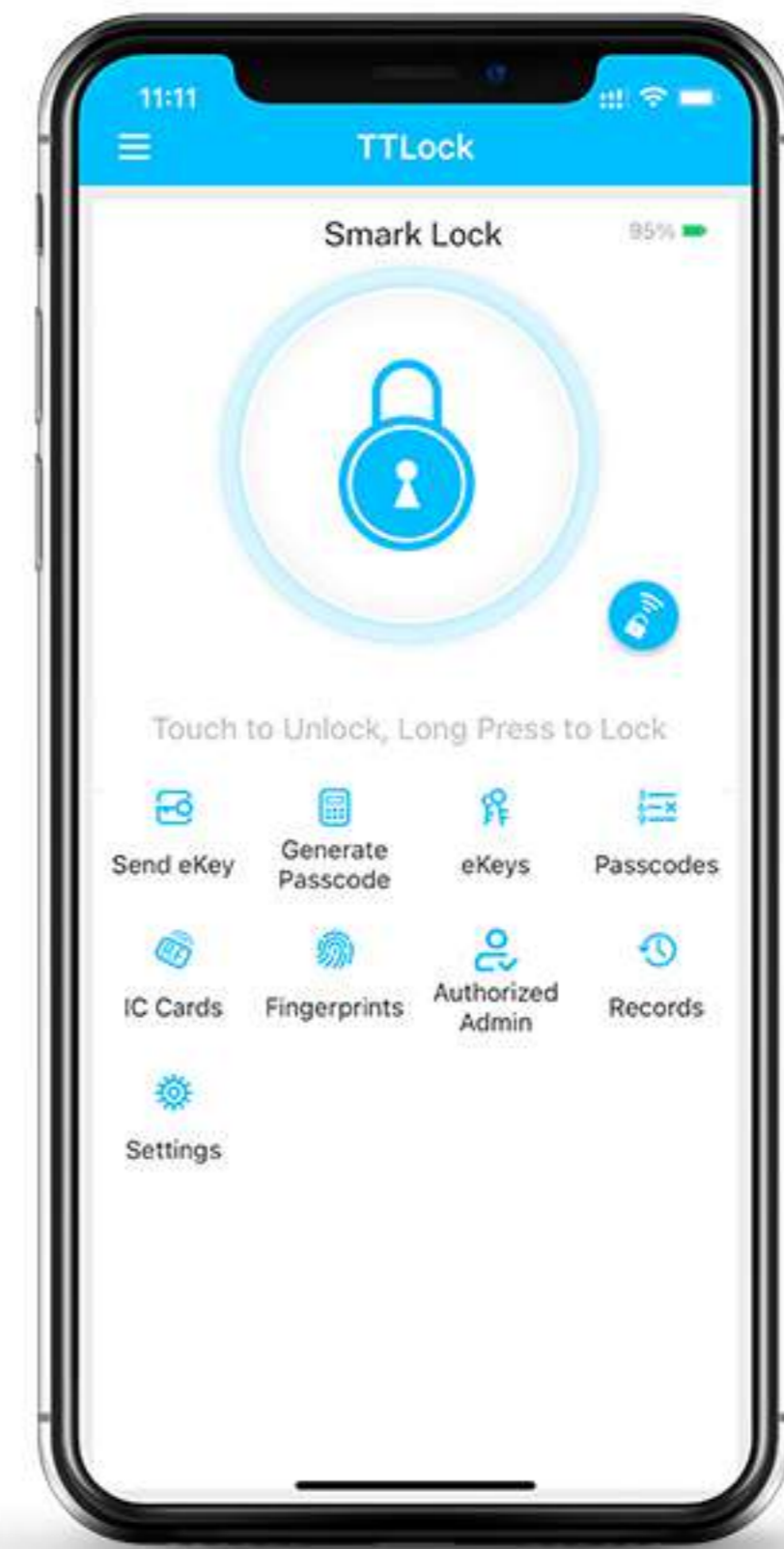
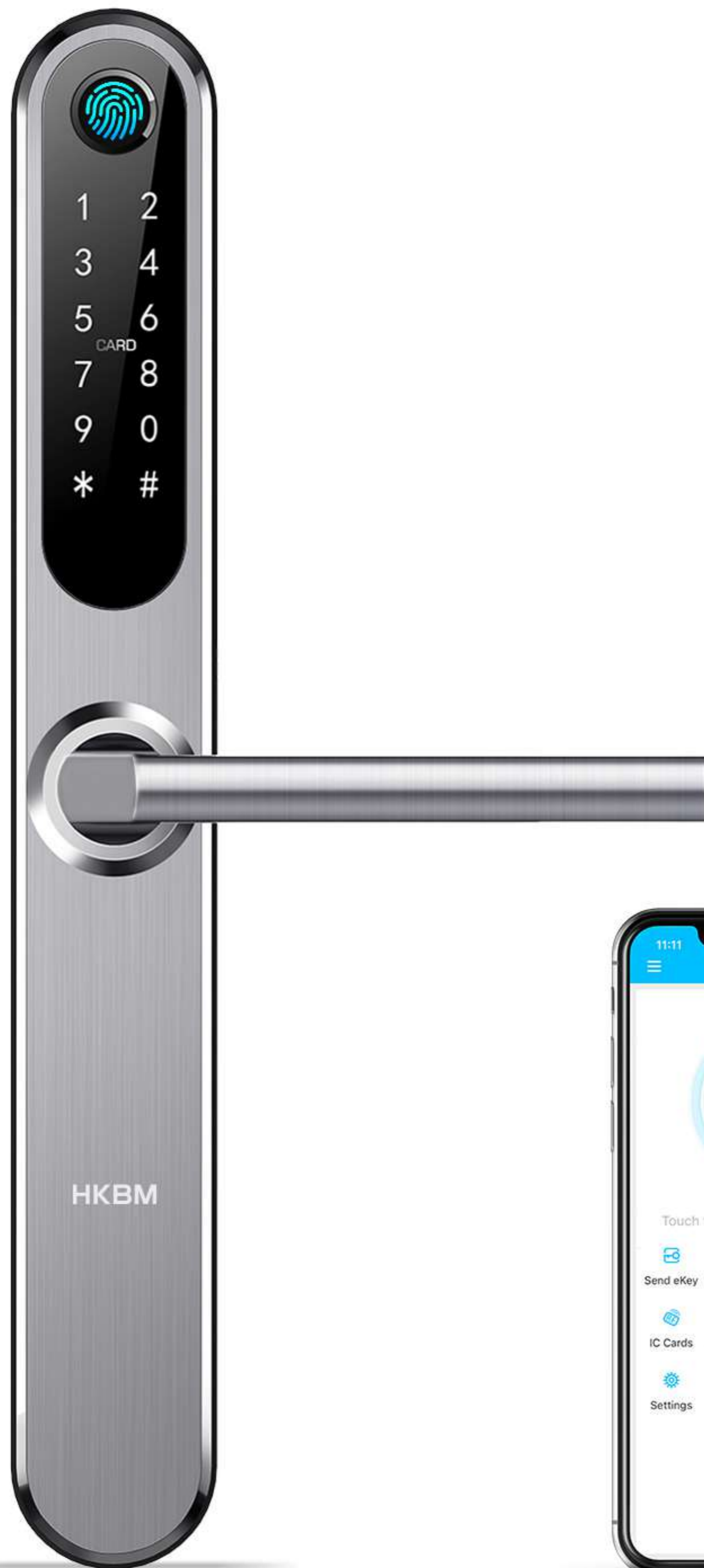
## S800-FP03 Smart Door Lock



**HEIKEN**

*Your Ultimate Door Solutions Specialist*





BLE



Fingerprint



Password



Card



Mechanical Key



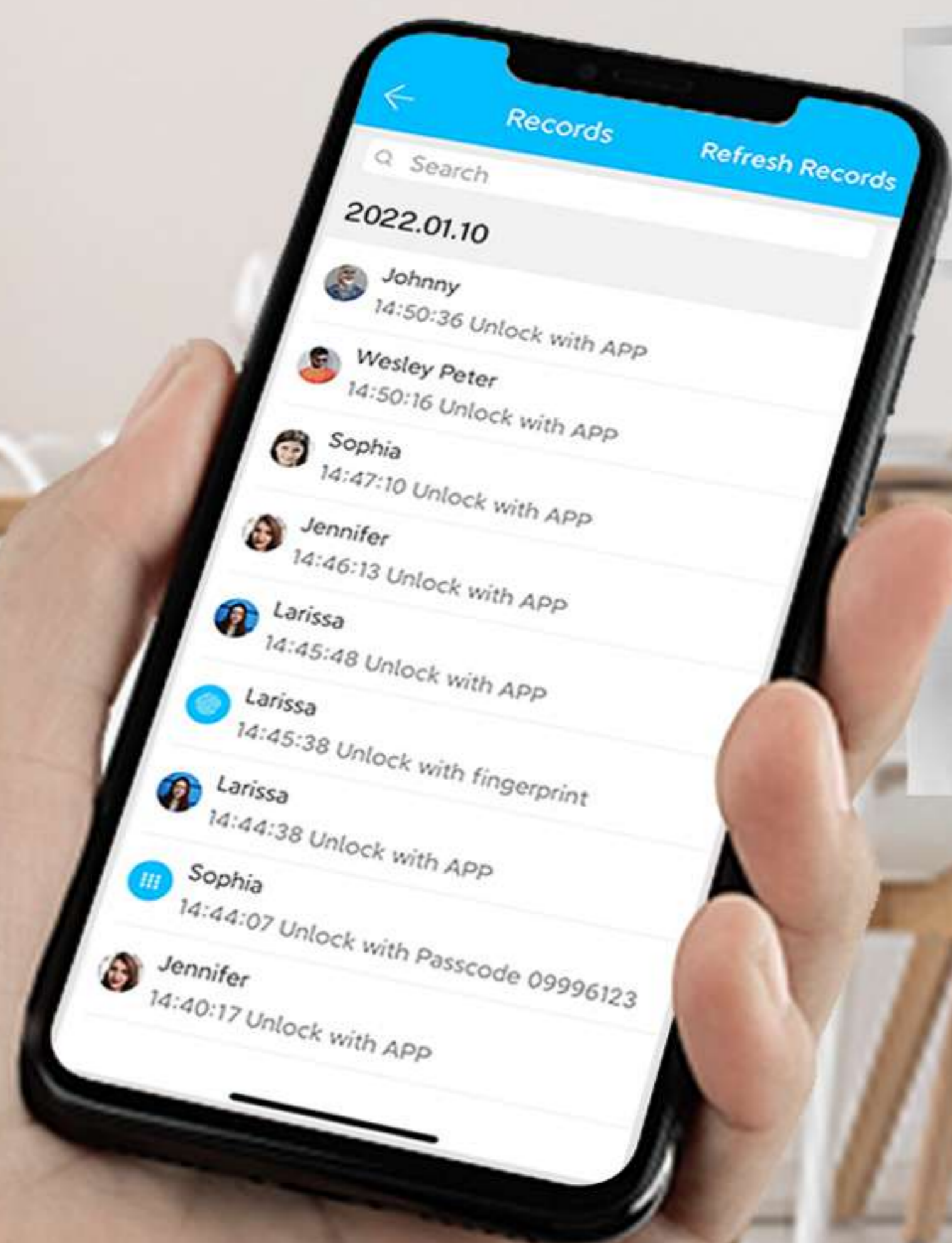
APP



Remote Control



# CHECK UNLOCKED RECORDS









# Before - only key unlock



Wooden Door



Composit Door



Steel Door

**HKBM**  
**S800-FP03**



APP BLE / Fingerprint / Card unlock / WiFi unlock  
Pin code unlock / Mechanical key unlock



# DIY INSTALLATION

EASY TO INSTALL WITH 1 SCREWDRIVER AND 2 SCREWS.





# MULTIPLE WAYS TO UNLOCK



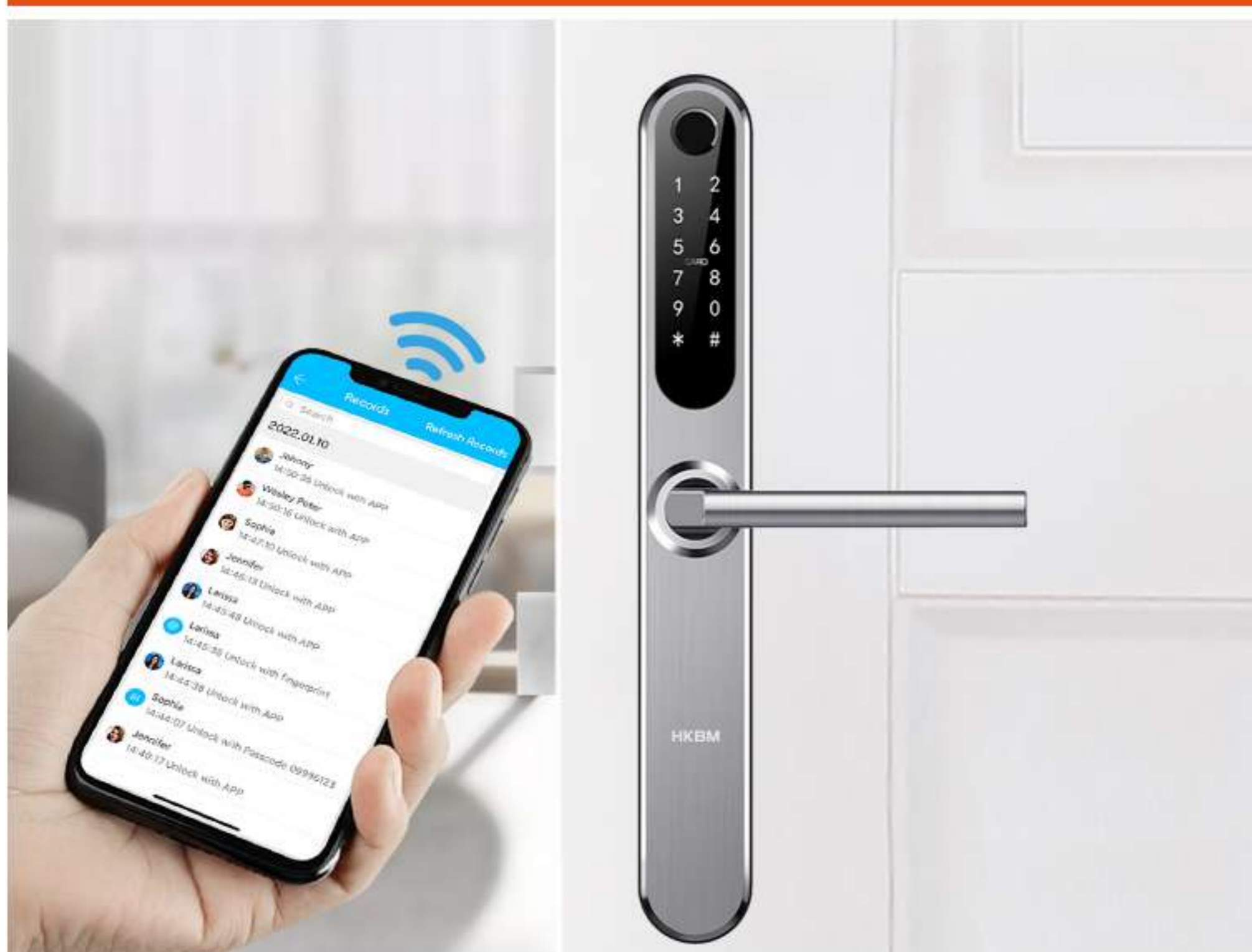
Fingerprint



Anti-peep Password



Mobile APP



RFID Card



Mechanical Key



Micro USB Port For  
Emergency







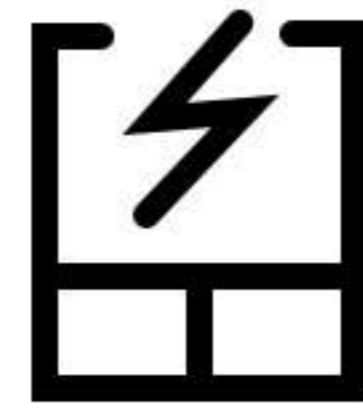
**0 - 95%**

Working Humidity



**-35°C ~ 55°C**

Working Temperature



**6V/4x AA Batteries**

Working Voltage



**Less than 4.8V**

Low Wattage Alarm

  
**55°C**

  
**IP55**

  
**-35°C**

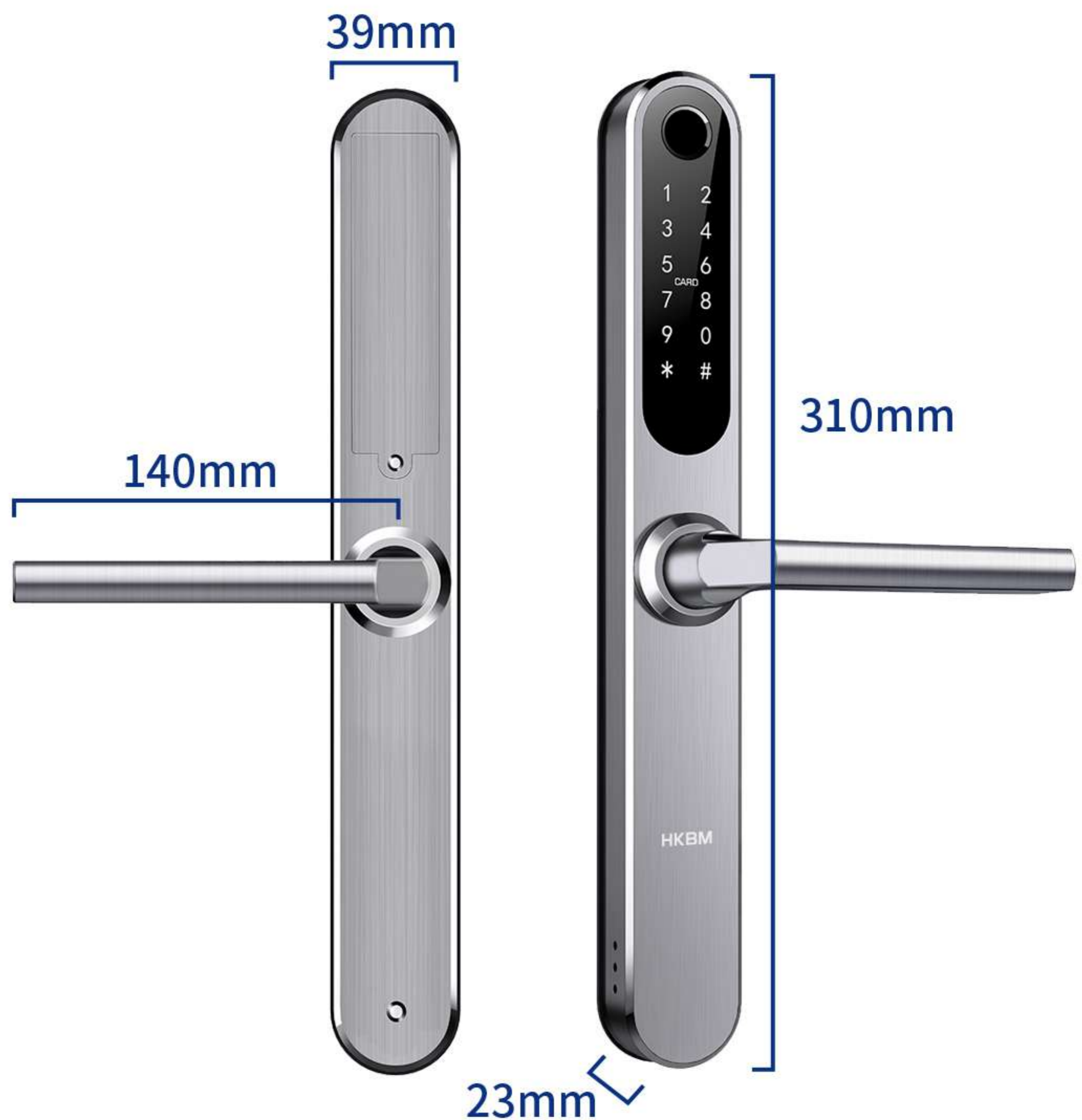








# SMART HANDLE LOCK S800-FP03

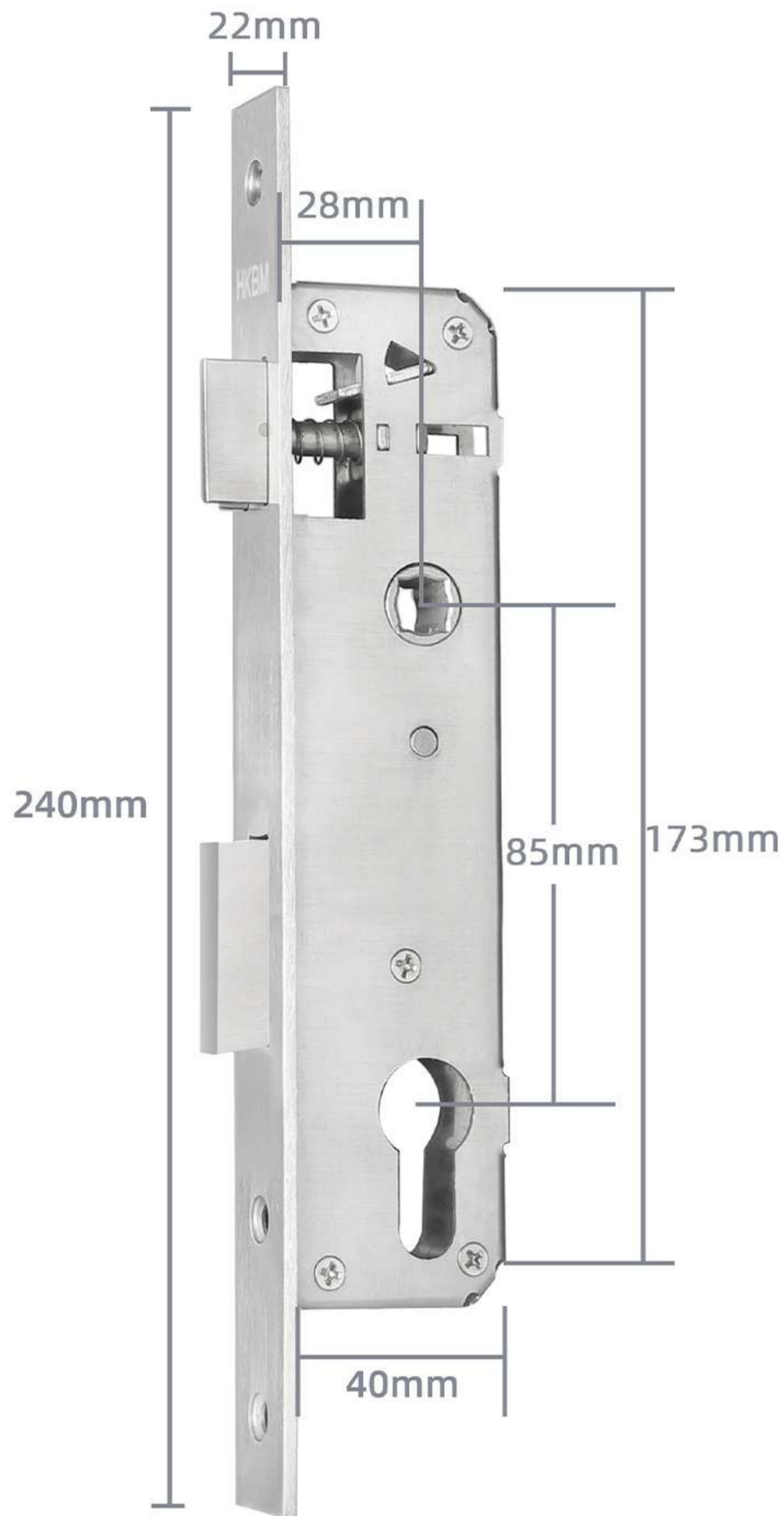


## Features

- **Lock Dimension:** 310mm(D)\*39mm(L)\*23mm(H);
- **Available in Matted Sliver;**
- **Attractive smart access / WIFI / APP BLE /Fingerprint / Pincode /Card.**
- **Voice Commands via Google Assistant & Amazon Alexa;**
- **User Capacity:** Finger: 200, PIN: 200, Card: 200, E-key: unlimited;
- **Suitable for all mortises: 2885;**
- **Waterproof IP55;**
- **Easy installation;**
- **Adjustable for all door thickness;**
- **1 year batteries life;**
- **250K cycle time;**
- **200 hours salt-spray ;**
- **USB for emergency power;**
- **Mechanical key for emergency;**



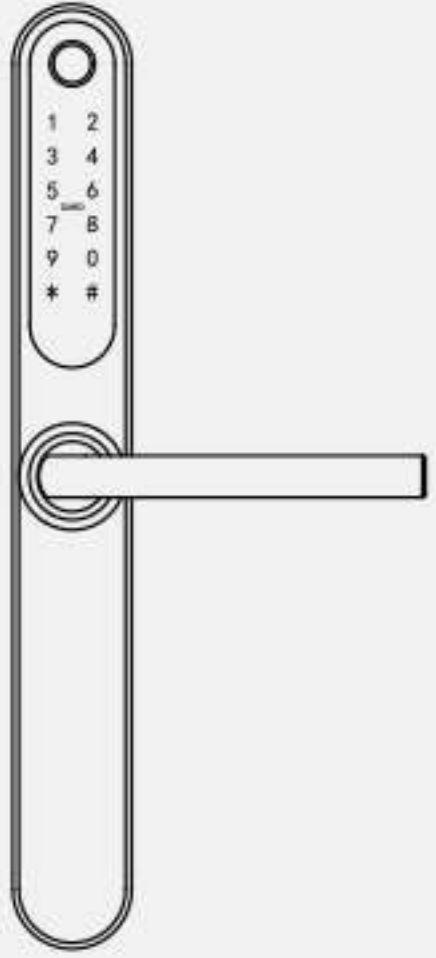
# MORTISE LOCKCASE DETAILS



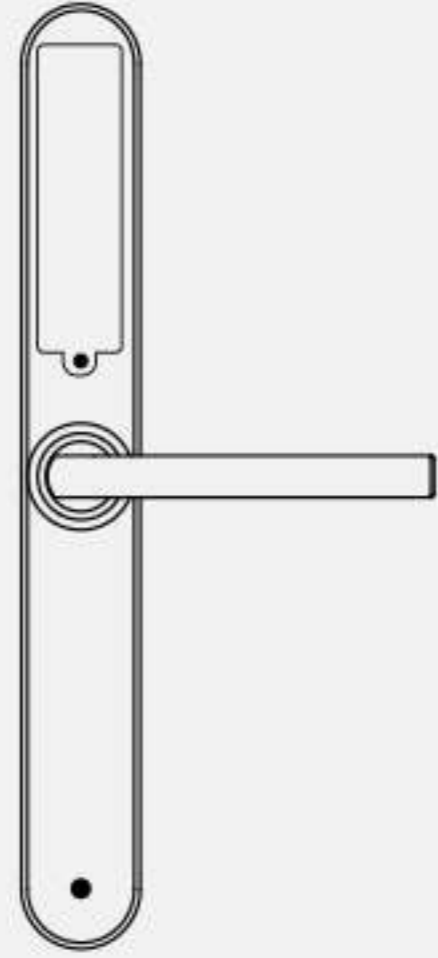
2885



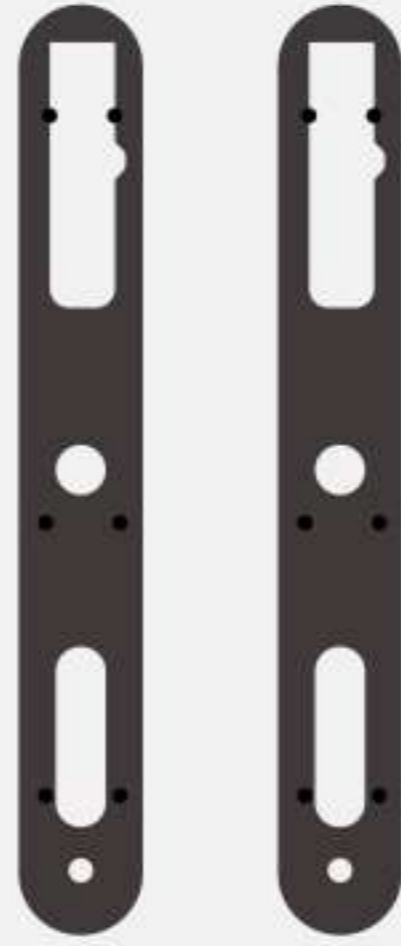
# INSIDE PACKING



Front Panel \* 1



Back Panel \* 1



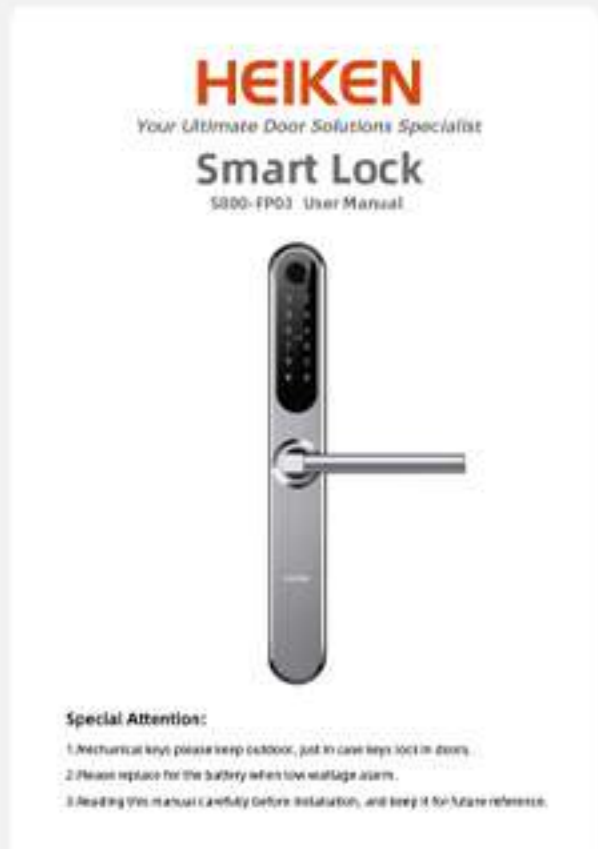
Rubber Plate \* 2



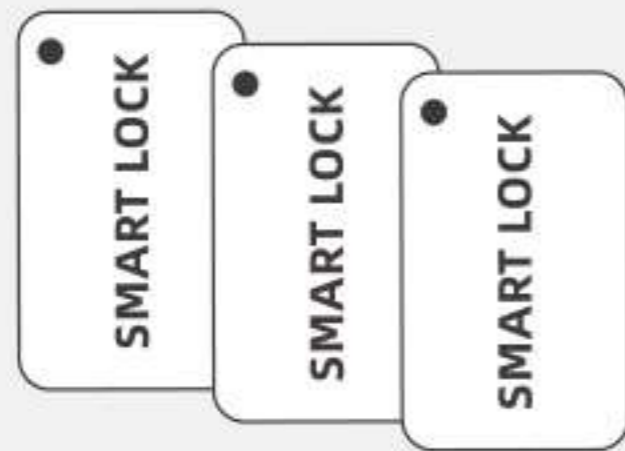
Mechanical Key \* 2



U-Clip \* 1



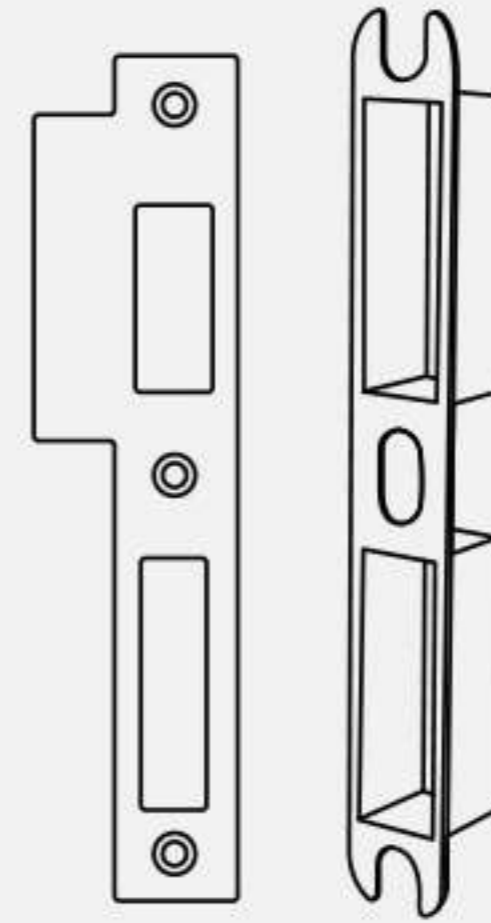
User Manual \* 1



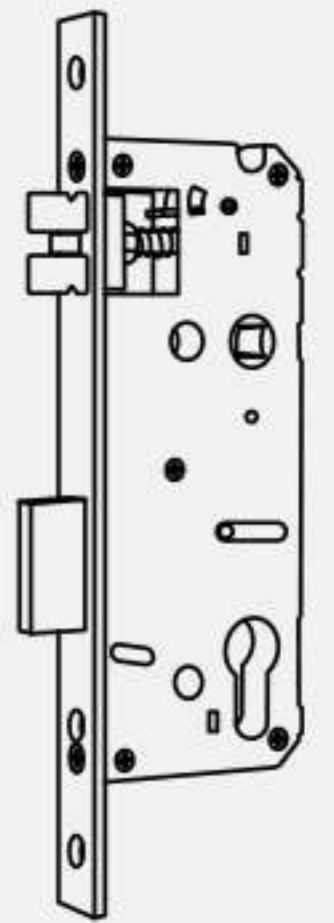
Card \* 3



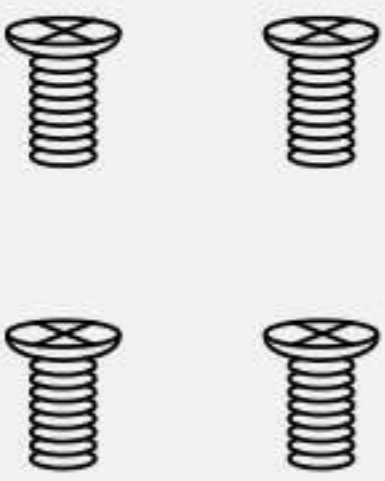
Square Shaft \* 2



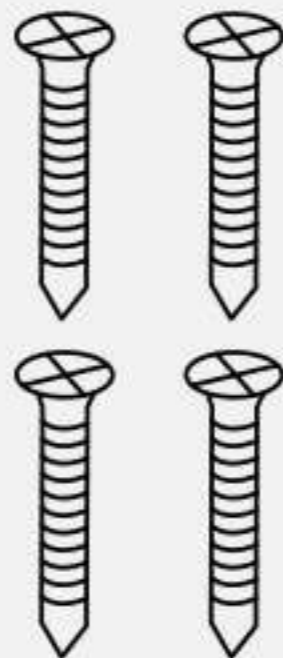
Strike Plate & Strike Cover \* 2



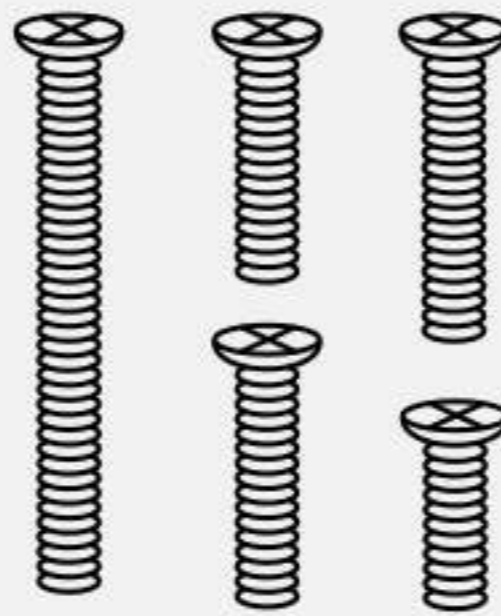
Mortise \* 1



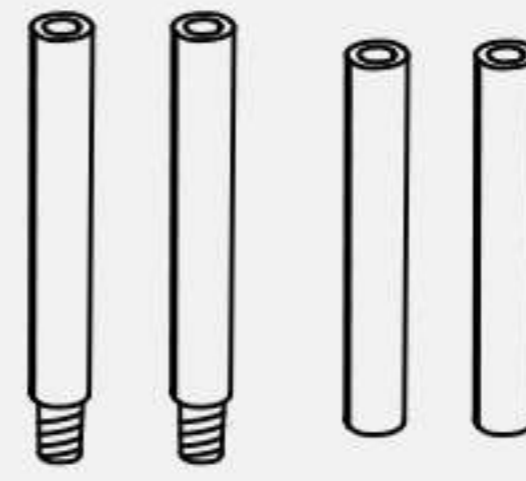
Mortise Strike \* 4



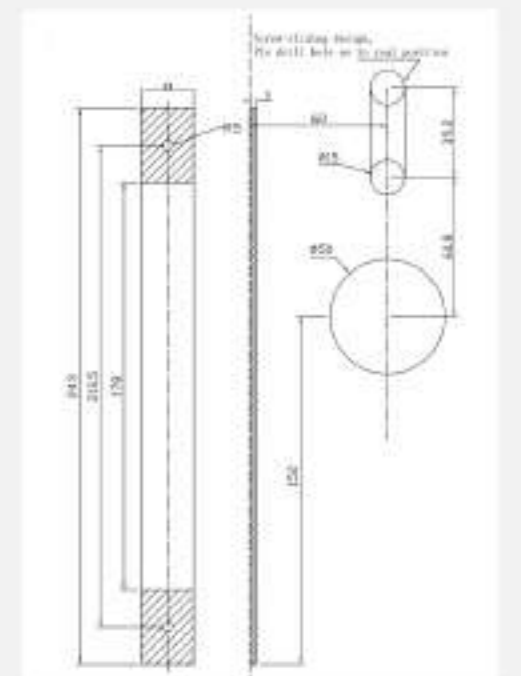
Mortise Screw \* 4



Screw \* 5



Screw Stubs \* 2  
Sliding Screw \* 1



drilling template \* 1



# Contact US



[www.heiken.com.my](http://www.heiken.com.my)



A-09-12, PINNACLE PETALING JAYA, LORONG UTARA C,  
46200, PETALING JAYA, SELANGOR

Tel: +6011 2673 3199

